



PO Box 276  
Normandy Beach, NJ 08739  
Ph 732-363-7311  
Fax 732-363-7663

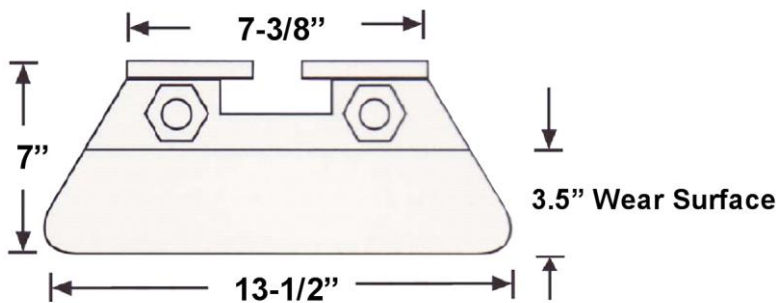
**800-309-6939**

## Model 911M Laminated Rubber Edge



### Specifications:

- Manufactured from steel-belted bus and truck tires, compressed onto 1" steel rods and secured with flatbar retaining plates.
- Mounting hardware to be Grade 8 plow bolts, nuts and square slide washers.
- Approximate weight – 60 lbs. per linear foot.
- Reversible profile shall be as follows:



Model 911M