



PO Box 276
 Normandy Beach, NJ 08739
 Ph 732-363-7311
 Fax 732-363-7663

800-309-6939

Recycled Product

100% of the rubber in each unit is recycled from post-consumer bus and truck tires.

Durable

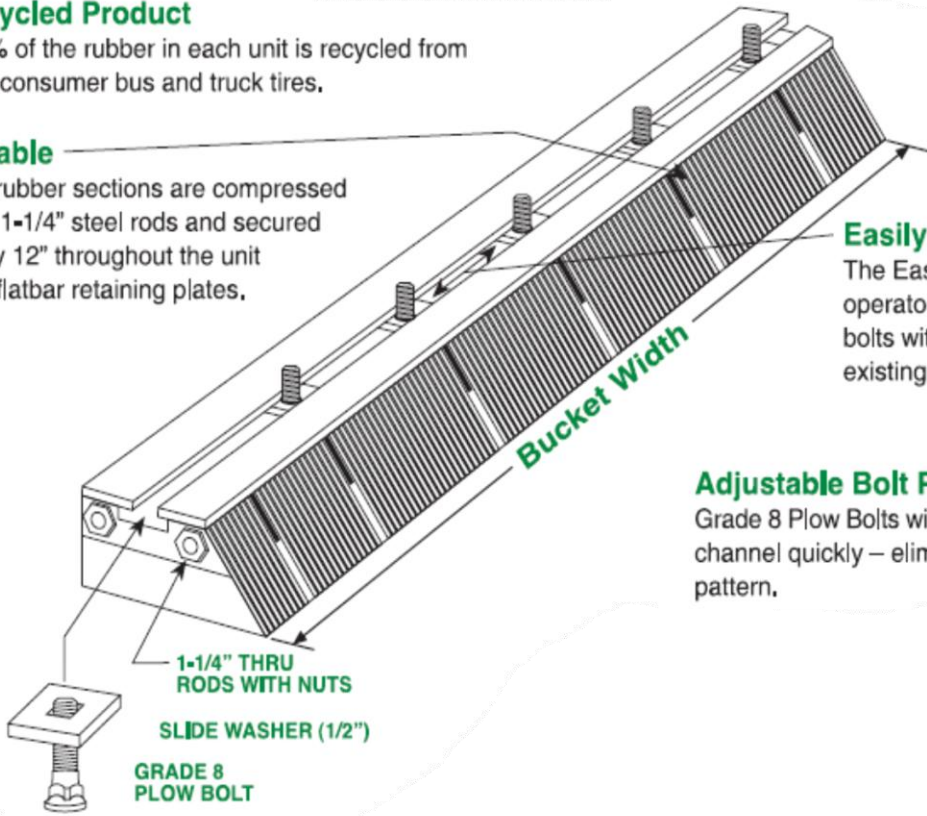
The rubber sections are compressed onto 1-1/4" steel rods and secured every 12" throughout the unit with flatbar retaining plates.

Easily Fitted

The Easy-Slide channel allows the operator to adjust the position of the bolts within the channel to match the existing bucket bolt pattern.

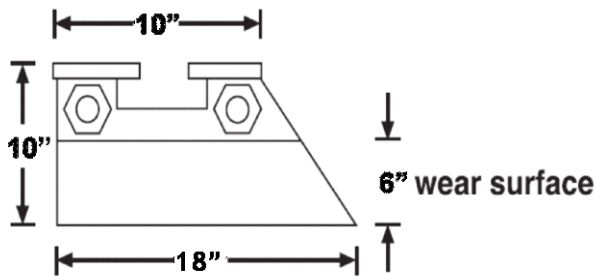
Adjustable Bolt Pattern

Grade 8 Plow Bolts with matching washer slide into channel quickly – eliminates hassle of fixed bolt pattern.



Specifications:

- Manufactured from steel-belted bus and truck tires, compressed onto 1-1/4" steel rods and secured with flatbar retaining plates.
- Mounting hardware to be Grade 8 plow bolts, metal lock nuts and square slide washers.
- Approximate weight – 102 lbs. per linear foot.



Model 911TH

